



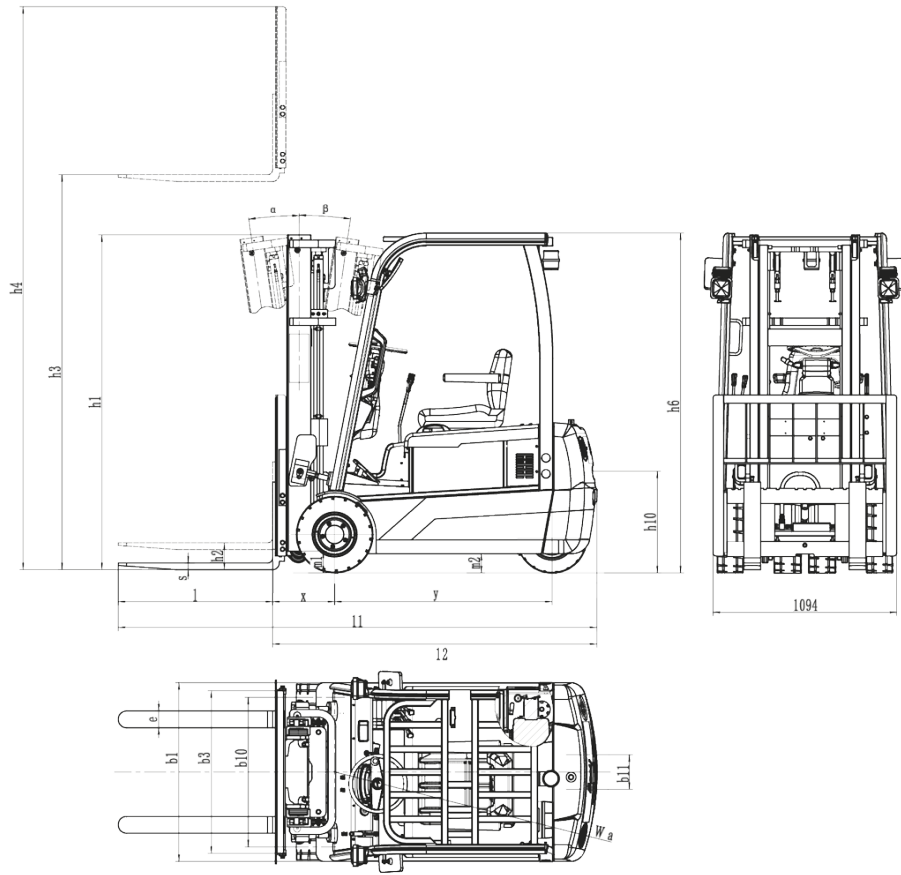
KBET 15 - 20

| | | | |
|--------|---|--------------------|-------------------|
| 1.1 | Manufacturer | | KION BAOLI |
| 1.2 | Manufacturer's type designation | | KBET 18 |
| 1.3 | Drive: electric, diesel, petrol, fuel gas | | Electric |
| 1.4 | Operator type: hand, pedestrian, standing, seated, order-picker | | Seated |
| 1.5 | Rated capacity / Rated load | Q (t) | 1.8 |
| 1.6 | Load centre distance | c (mm) | 500 |
| 1.8 | Load distance, centre of drive axle to fork | x (mm) | 365 |
| 1.9 | Wheelbase | y (mm) | 1295 |
| 2.1 | Service weight | Kg | 3260 |
| 2.2 | Axle loading, laden front/rear | Kg | 4530/530 |
| 2.3 | Axle loading, unladen front/rear | Kg | 1500/1760 |
| 3.1 | Tyres: solid rubber, superelastic, pneumatic, polyurethane | | S/E |
| 3.2 | Tyre size, front | | 18x7-8 |
| 3.3 | Tyre size, rear | | 16x6-8 |
| 3.5 | Wheels, number front/rear (x = driven wheels) | | 2x/2 |
| 3.6 | Tread, front | b10 (mm) | 890 |
| 3.7 | Tread, rear | b11 (mm) | 205 |
| 4.1 | Tilt of mast/fork carriage forward/backward | α/β (°) | 5/7 |
| 4.2 | Height, mast lowered | h1 (mm) | 2005 |
| 4.3 | Free lift | h2 (mm) | 122 |
| 4.4 | Lift | h3 (mm) | 3000 |
| 4.5 | Height, mast extended | h4 (mm) | 3945 |
| 4.7 | Height of overhead guard (cabin) | h6 (mm) | 2015 |
| 4.8 | Seat height/stand height | h7 (mm) | 958 |
| 4.12 | Coupling height | h10 (mm) | 600 |
| 4.19 | Overall length | l1 (mm) | 2850 |
| 4.20 | Length to face of forks | l2 (mm) | 1930 |
| 4.21 | Overall width | b1/b2 (mm) | 1066 |
| 4.22 | Fork dimensions ISO 2331 | s/e/l (mm) | 35/120/920 |
| 4.23 | Fork carriage ISO 2328, class/type A, B | | II A |
| 4.24 | Fork carriage width | b3 (mm) | 968 |
| 4.31 | Ground clearance, laden, below mast | m1 (mm) | 120 |
| 4.32 | Ground clearance, centre of wheelbase | m2 (mm) | 110 |
| 4.34.1 | Aisle width for pallets 1000 x 1200 crossways | Ast (mm) | 3241 |
| 4.34.2 | Aisle width for pallets 800 x 1200 crossways | Ast (mm) | 3060 |
| 4.35 | Turning radius | Wa (mm) | 1550 |
| 4.36 | Internal turning radius | b13 (mm) | - |
| 5.1 | Travel speed, laden/unladen | km/h | 13.5/15 |
| 5.2 | Lift speed, laden/unladen | m/s | 0,300/0,470 |
| 5.3 | Lowering speed, laden/unladen | m/s | 0,480/0,420 |
| 5.8 | Max gradeability, laden/unladen | % | 20/20 |
| 5.10 | Service brake | | Electromechanical |
| 6.1 | Drive motor rating S2 60 min | kW | 2x6.5 |
| 6.2 | Lift motor rating at S3 15% | kW | 16.5 |
| 6.4 | Battery voltage/nominal capacity K5 | V/Ah | 48 / 505/525/595 |
| 6.5 | Battery weight | kg | 810~920 |
| 10.1 | Operating pressure for attachments | bar | 160 |
| 10.7 | Sound pressure level at driver's seat | dB (A) | ≤75 |

Electric trucks

| KBET 18 | | | | | | | | |
|--------------|------|---|---|------|--------------------------|-----------------------------|--------------------------|--------------------------|
| Mast type | H3 | Rated Capacity - Load center 500 mm | Rated Capacity - Load center 500 mm - with Sideshift | H1 | H4 with load backrest | H2 without load backrest | H2 with load backrest | Mast angle Front/back |
| VM Tele | 2500 | 1800 | 1650 | 1745 | 3542 | 140 | 140 | 5/7 |
| | 2700 | 1800 | 1650 | 1845 | 3742 | 140 | 140 | 5/7 |
| | 3000 | 1800 | 1650 | 2005 | 4042 | 140 | 140 | 5/7 |
| | 3250 | 1800 | 1650 | 2120 | 4292 | 140 | 140 | 5/7 |
| | 3300 | 1800 | 1650 | 2145 | 4342 | 140 | 140 | 5/7 |
| | 3500 | 1800 | 1650 | 2245 | 4542 | 140 | 140 | 5/7 |
| | 4000 | 1600 | 1450 | 2545 | 5042 | 140 | 140 | 5/7 |
| VFM 2 stage | 2500 | 1800 | 1650 | 1745 | 3542 | 1250 | 743 | 5/7 |
| | 2700 | 1800 | 1650 | 1845 | 3742 | 1350 | 843 | 5/7 |
| | 3000 | 1800 | 1650 | 2005 | 4042 | 1500 | 993 | 5/7 |
| | 3300 | 1800 | 1650 | 2145 | 4342 | 1650 | 1143 | 5/7 |
| | 3500 | 1800 | 1650 | 2245 | 4542 | 1690 | 1243 | 5/7 |
| | 4000 | 1600 | 1450 | 2545 | 5042 | 1890 | 1543 | 5/7 |
| VFHM triplex | 4000 | 1500 | 1350 | 1940 | 5042 | 1400 | 938 | 3/5 |
| | 4350 | 1400 | 1250 | 2065 | 5392 | 1525 | 1063 | 3/5 |
| | 4500 | 1400 | 1250 | 2115 | 5542 | 1575 | 1183 | 3/5 |
| | 4700 | 1300 | 1150 | 2185 | 5742 | 1645 | 1183 | 3/5 |
| | 4800 | 1300 | 1150 | 2215 | 5842 | 1745 | 1213 | 3/5 |
| | 5000 | 1200 | 1050 | 2315 | 6042 | 1775 | 1313 | 3/5 |
| | 5400 | 1000 | 850 | 2440 | 6442 | 1900 | 1483 | 3/5 |
| | 5500 | 850 | 700 | 2465 | 6542 | 1925 | 1463 | 3/5 |
| 6000 | 650 | 500 | 2665 | 7042 | 2125 | 1663 | 3/5 | |

KBET



KBE

