

# LTX Technical Data

## Electric Stand-on Tractor

---

LTX 20

LTX 50/Li-Ion

LTX 50 iGo systems



**Li-Ion**  
INSIDE

**iGo systems**

first in intralogistics



# LTX Electric Stand-on Tractor

## Intelligence at work

This specification sheet, which conforms to VDI guidelines 2198 and 3597, provides the technical values for the standard equipment only. Different tyres, other masts, the use of accessories, etc. may result in other values.



				STILL	STILL		
Features	1.1	Manufacturer					
	1.2	Manufacturer's type designation		<b>LTX 20</b>	<b>LTX 50/Li-Ion</b>		
	1.3	Drive		Electric	Electric		
	1.4	Operation		Stand-on	Stand-on		
	1.5	Load capacity/load	Q	kg	-	-	
	1.5.1	Towing capacity	Q	kg	2000	5000	
	1.7	Rated drawbar pull	F	N	-	1000	
	1.9	Wheel base	y	mm	907	1133 <sup>2,3</sup>	
	Weights	2.1	Service weight (incl. battery)		kg	620 <sup>3</sup>	1223
2.3		Axle load without load	drive end/load end	kg	325/295	607/616	
Tyres/chassis	3.1	Tyres			Solid rubber/superelastic	Solid rubber/superelastic	
	3.2	Tyre size	drive end	mm	Ø 230 x 75	Ø 254 x 102	
	3.3	Tyre size	load end	mm	2 x Ø 250 x 80	Ø 250 x 85	
	3.4	Additional wheels (dimensions)		mm	2 x Ø 100 x 40	- <sup>3</sup>	
	3.5	Number of wheels (x = driven)	drive end/load end			1x/2 <sup>3</sup>	
	3.6	Track width	drive end/load end	b <sub>10</sub> /b <sub>11</sub>	mm	418/484	- <sup>3</sup> /604
Basic dimensions	4.7	Height to top of overhead guard (cabin)		h <sub>6</sub>	mm	-	2245 <sup>3,5</sup>
	4.8	Stand height/seat height	min./max.	h <sub>7</sub>	mm	754/1044	150 <sup>3</sup> //905/1094
	4.9	Height drawbar/steering wheel in driving position	min./max.	h <sub>14</sub>	mm	1178/1278	1270 <sup>3,6</sup>
	4.12	Coupling height		h <sub>10</sub>	mm	167	190/245/300/355/410
	4.13	Loading height		h <sub>11</sub>	mm	-	-
	4.17	Overhang length		l <sub>5</sub>	mm	243	195
	4.19	Overall length		l <sub>1</sub>	mm	1305	1512 <sup>2</sup>
	4.21	Overall width		b <sub>1</sub> /b <sub>2</sub>	mm	600	800
	4.32	Ground clearance, centre of wheel base		m <sub>2</sub>	mm	40	70 <sup>3</sup>
	4.35	Turning radius		W <sub>a</sub>	mm	1080	1480 <sup>2,3</sup>
Performance data	5.1	Driving speed	laden/unladen		km/h	8/8	8/14
	5.1.1	Driving speed, backwards	laden/unladen		km/h	3/3	6/6
	5.5	Traction S2 = 60 min	laden/unladen		N	400	1000
	5.6	Maximum traction S2 = 5 min	laden/unladen		N	2000	3400 <sup>7</sup>
	5.8	Maximum gradeability	laden/unladen		%	5/10	See diagram
	5.9	Acceleration time	laden/unladen		s	4/4	7.1/5.1
5.10	Service brake					Electromagnetic	Electromagnetic
Electric engine	6.1	Driving motor, power S2 = 60 min		kW	1.5	3	
	6.3	Battery according to DIN 43531/35/36; A, B, C, no			No	No	
	6.4	Battery voltage/nominal capacity K <sub>s</sub>		V/Ah	24/200	24/345-465	
	6.5	Battery weight ±5 %		kg	185	402	
	6.6	Energy consumption according to DIN EN 16796		kWh/h	1.21 <sup>8</sup>	1.4 <sup>9</sup>	
	6.7	Turnover output		t/h	-	475	
	6.8	Turnover output according to VDI 2198		t/kWh/h	-	123	
Misc.	8.1	Type of driving control			AC control	AC control	
	10.7	Sound pressure level (driver's ear)		dB(A)	75	<70	

<sup>1</sup> In combined application

<sup>2</sup> With tray 54 or Li-Ion +114 mm

<sup>3</sup> With ground clearance m<sub>2</sub> = 100 mm: two additional wheels b<sub>10</sub> = 580 mm, y = 1150 mm (with tray 54 or Li-Ion +114 mm), h<sub>7</sub> = 180 mm, h<sub>14</sub> = 1300 mm, W<sub>a</sub> = 1497 mm (with tray 54 or Li-Ion +114 mm)

<sup>4</sup> ±10%

<sup>5</sup> Optional equipment

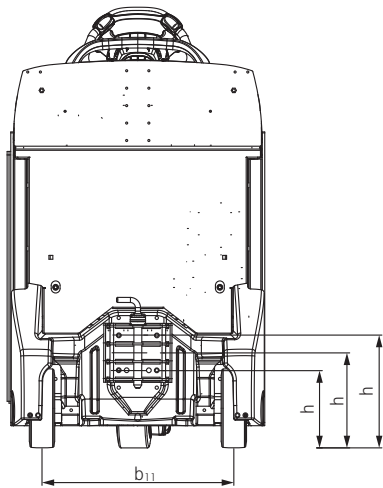
<sup>6</sup> With tiller adjustment option, h<sub>14</sub> setting range = +89 mm/-19 mm

<sup>7</sup> With lead-acid battery; with lithium-ion battery = 1750 N

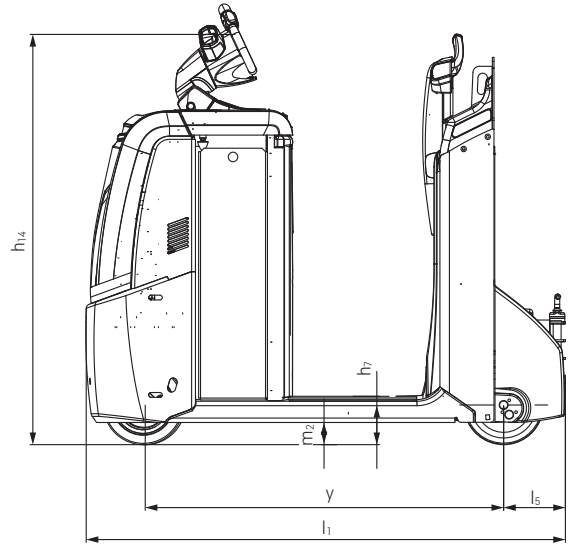
<sup>8</sup> According to VDI cycle

<sup>9</sup> According to DIN EN 16796

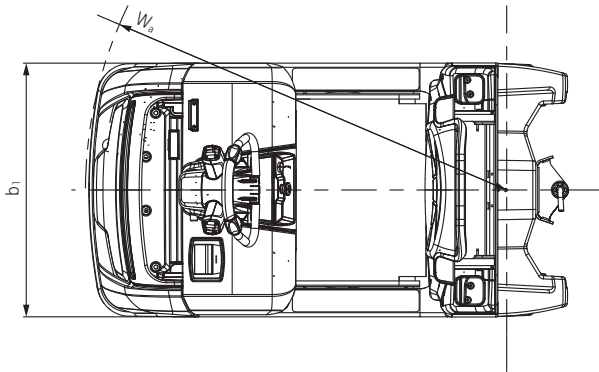
LTX Electric Stand-on Tractor  
 Technical Drawings



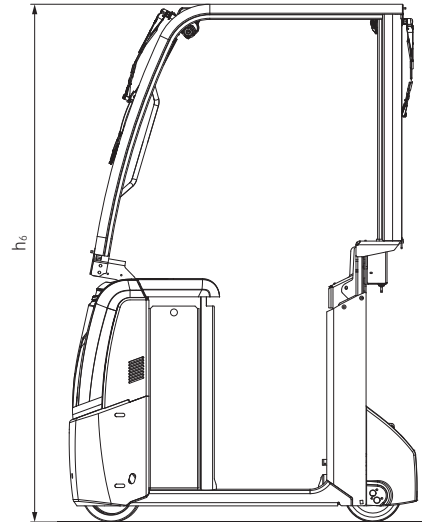
Rear view LTX 50



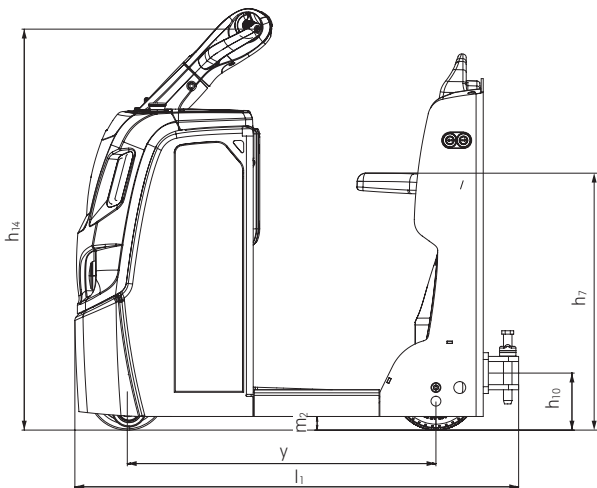
Side view LTX 50



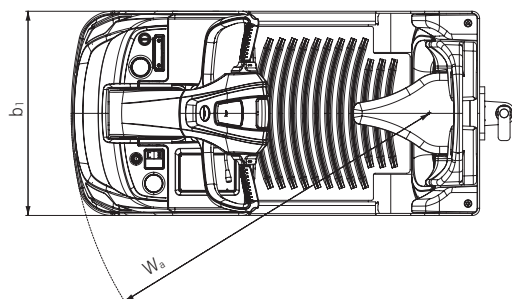
Top view LTX 50



Side view LTX 50 with optional cabin

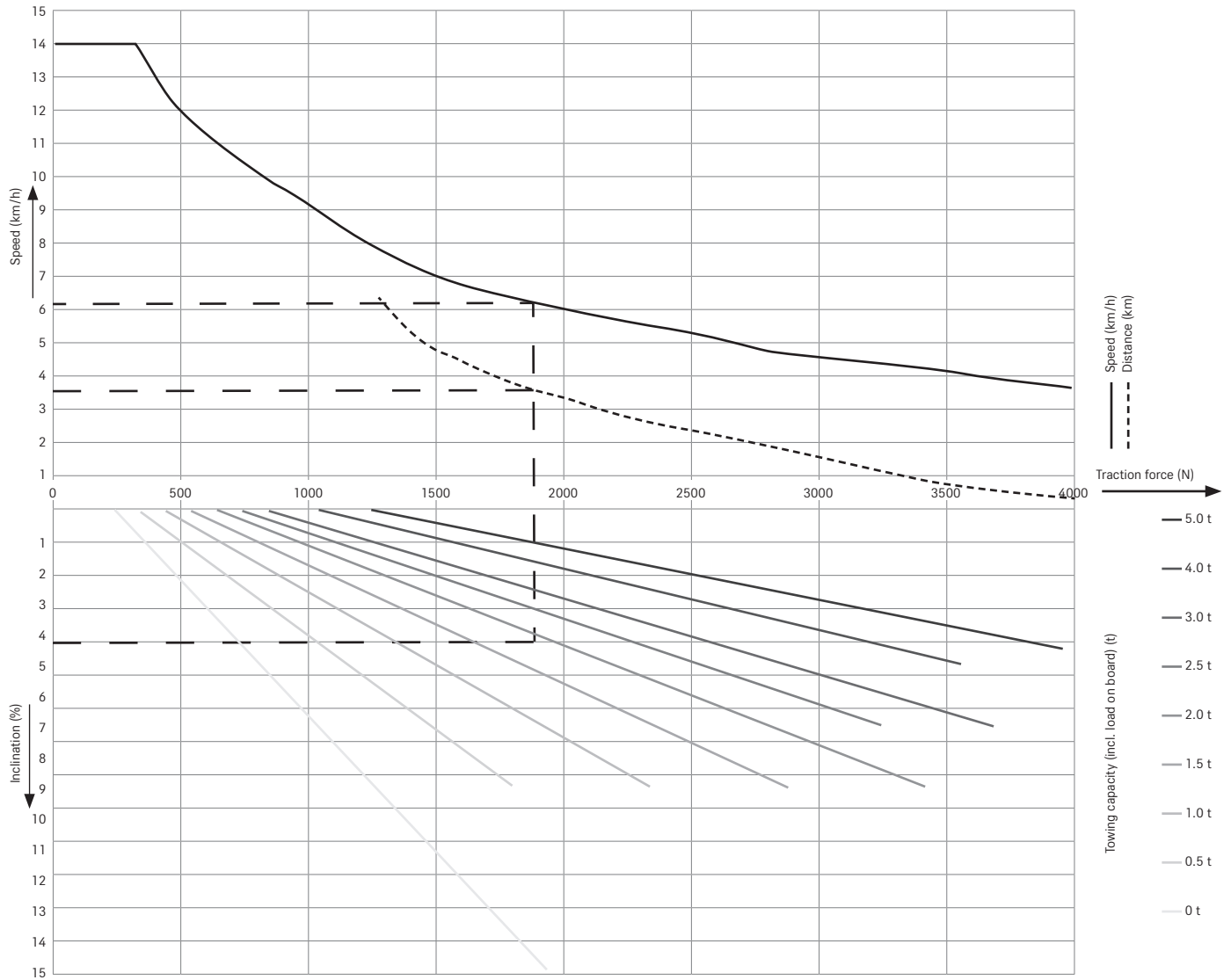


Side view LTX 20



Top view LTX 20

LTX Electric Stand-on Tractor  
Performance Diagram LTX 50



This example shows:

- towing load of 2,000 kg
- gradient of 4%
- maximum speed of 6.3 km/h
- gradient length 3.7 km

Important: Only braked trailers should be used with a trailer weight of more than 2.5 t and for any use of trailers on gradients.

LTX Electric Stand-on Tractor  
Intelligence at work



LTX in tugging train operation

LTX Electric Stand-on Tractor  
Detailed Photos LTX 20 and LTX 50



Fast release of coupling from driver's seat<sup>1</sup>



Fold-out seat for long driving distances<sup>1</sup>



Driver cabin features intuitive controls<sup>1</sup>



Pedestrian mode for efficient order picking<sup>1</sup>



Height-adjustable steering for different operators<sup>1</sup>



Optional LED daytime running lights for maximum visibility and improved safety at work<sup>2</sup>



Flexible applications thanks to various connection options for tugger train elements and trailers<sup>2</sup>



Optional folding seat for more comfort over longer trips<sup>2</sup>

<sup>1</sup> Example shown here is the LTX 20 // <sup>2</sup> Example shown here is the LTX 50

# LTX Electric Stand-on Tractor

## Detailed Photos LTX 50 and LTX 50 iGo systems



Unique STILL Easy Drive steering wheel for optimised driver control and operation of all functions without changing grip<sup>2</sup>



Optional accessory bar for versatile application options and many equipment options including flash lights and working lights<sup>2</sup>



Excellent vehicle visibility thanks to optional STILL Safety Light and Safety Light 4Plus for maximum driver safety<sup>2</sup>



Optimal adaptation to individual operator preferences thanks to the height-adjustable steering wheel<sup>2</sup>



Ergonomic workstation with optional pneumatically damped operator's platform<sup>2</sup>



Comfortable to work with: low step height and spacious footwell<sup>2</sup>



Automatic movement of the LTX 50 iGo systems through the warehouse thanks to the automation box and navigation laser



360° pedestrian protection provided by integrated safety laser scanners in the LTX 50 iGo systems

<sup>2</sup> Example shown here is the LTX 50

## LTX Electric Stand-on Tractor LTX 50 iGo systems

Extremely high safety standards: improved transport quality and no risk of injury or damage to people, forklift trucks, warehouse equipment and goods thanks to the smart safety functions

Outstanding process standards: picking errors and empty runs are avoided, increasing transport quality

Maximum availability: efficient transport control and IT integration enable fleets to be put to optimal use around the clock

Excellent cost-effectiveness and efficiency: automation sequences are developed in line with your specific customer processes along with a transparent and optimised continual material flow

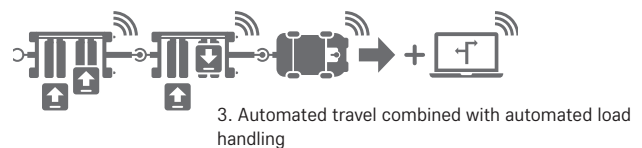
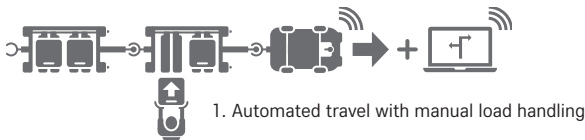


### Automated transport solutions

Intralogistics transportation is already automated to a large extent and this trend is growing. Plenty of processes have been putting driverless transport systems successfully to use for some time now. Examples include loading and unloading, long-distance transport, production supply and preparation for loading. Automated trolley train systems fall under the category of driverless transport systems. They are most typically used in cases where relatively long stretches of traditional long-distance transport routes are covered by driverless systems and/or the handling of heavy loads needs to be incorporated into trolley train supply routes within production. And yet automated trolley trains

can be used for more than just driverless long-distance transport applications. After all, the efficient use of available resources in a way that adds value is what automation is all about. The automotive sector is a clear forerunner in the use of automated trolley train systems, although a cross-industry trend is emerging. Port and hospital logistics applications as well as bulk manufacturers, assembly lines in series production and companies operating in the fields of recycling, retail and logistics also look set to use automated trolley trains or trolley train solutions in future.

There are three levels of automation when it comes to trolley trains, depending on the process step:



The LTX 50 iGo systems combines automated travel with automated load handling, making it ideal for production supply amongst other applications.

### Advantages of automated trolley trains

Automation solutions in logistics are not a temporary trend. They are setting the course for future processes. The advantages of an automated trolley train are plain to see: Damage to forklift trucks, warehouse equipment and goods is minimised. There is no risk of accidents involving people thanks to the smart safety functions. Just-in-time or just-in-sequence deliveries to the necessary locations and the fact that materials and carriers can consequently be supplied and removed with absolute precision, mean that delivery frequencies can be increased. Smart software integrated into automated trolley trains and precise navigation make faulty processes a thing of the past. The flow of goods is optimised without any sign of picking errors, empty

runs or goods mix-ups. All of our driverless transport systems comply with the necessary requirements (including the Machinery Directive and ISO 3691-4) and they are fitted with tried-and-tested sensor devices. The following safety features are also included: a safety laser scanner that detects people and objects in the travel path; visual and acoustic warning systems (triggered, for example, when there is a change in the direction of travel); and an emergency stop button that can be used to bring the forklift truck to an immediate standstill. The different levels of automation are easy to scale. A route that has been automated once can be adapted, expanded and even combined with other automated solutions without much extra time and effort.



## LTX Electric Stand-on Tractor Intelligence at work

---

Ease of work: low entry and large foot space

Suitable for compact working areas: very agile and compact  
(600 mm vehicle width)

Up to 2,000 kg towing capacity



### LTX 20

---

Intelligence at work - and attractive at that. The LTX 20 compact tractor by STILL stands out not only due to its high functionality but in particular through its carefully conceived design. And design means much more than superficial optics: For example, the ergonomic back rest with folding seat makes work both relaxing and back-friendly. Apropos work - this is something this lean tractor can do better than any other: Highly compact and agile, it pulls heavy loads of up to 2 tons with a convincing acceleration performance. The precise steering allows drivers to handle loads safely at all times.

With a width of only 600 mm, the LTX 20 can be quickly and safely manoeuvred even in the narrowest of aisles. It is therefore ideal for tugger train solutions in lean production or for baggage handling at airports, but also many further areas of application. For instance, the LTX 20 is ideal for moving laundry in hospitals or transporting materials for repair and maintenance work of all kinds.

High handling capacity thanks to maximised towing load of up to 5,000 kg and speeds of up to 14 km/h

Best ergonomics thanks to optional pneumatically-damped driver's station and adjustable STILL Easy Drive steering wheel

Suitable for narrow aisles thanks to compact dimensions



### LTX 50

---

Reliable on-time delivery sequences are one of the LTX 50's specialities. Deployed as a tugger train, the future-proof electric tractor can tow trailers with overall weights of up to 5,000 kg down narrow aisles with absolute precision at your production facilities. Thanks to the top speed of up to 14 km/h even long trips can be covered in the shortest possible time. This makes for an efficient and lean production, reduces internal traffic volumes and saves money. Drivers are happy to use the unique STILL Easy Drive steering wheel with an integrated display.

The controls are arranged in an intelligent fashion so that they can be comfortably operated with either hand without changing grip. In addition, the precise and smooth electrical steering with automatic centring keeps the vehicle always on track. Work comfort may be enhanced with the optional pneumatically-damped driver stand platform with foldable seat and height-adjustable back rest. High battery capacities make the LTX 50 a real long-distance runner - the optional Li-Ion technology even allows you to benefit from round-the-clock availability.

### Simply easy

---

- Pedestrian mode saves frequent mounting and dismounting
- Intuitive control of all functions without changing grip: innovative STILL Easy Drive steering wheel on the LTX 50
- Precision coupling: fast and safe thanks to full visibility of the trailer coupling
- Shock-free and safe goods transport: precision acceleration and steering behaviour plus optional pedestrian mode
- More comfort over long trips: folding seat for more travel comfort
- Fatigue-free working: low vehicle entry simplifies mounting and dismounting

### Simply powerful

---

- Powerful, reliable, low maintenance: modern three-phase drive motors
- Strong handling performance: high towing loads of 2,000 to 5,000 kg
- Fast goods transport: speeds of up to 14 km/h with the LTX 50 and up to 8 km/h with the LTX 20
- Low energy costs at the touch of a button: efficiency mode Blue-Q on the LTX 50

### Simply safe

---

- Excellent safety and accident prevention: high visibility of the vehicle thanks to optional LED daytime running lights, STILL Safety Light and Safety Light 4Plus
- Excellent safety on curvy routes: steering angle-dependent Curve Speed Control
- Prevention of impact damage: versatile collision protection options
- Improved transport quality and no risk of injury or damage to people, forklift trucks, warehouse equipment and goods thanks to the smart safety functions of the LTX 50 iGo systems

### Simply flexible

---

- Always available: optional lateral battery changes and the Li-Ion battery option for the LTX 50 allow fast charging and simple intermediate charging
- The ideal driving programme for any application
- Stand comfortably: modern, sprung and damped driver stand-on platform; for the LTX 50 even an optional adjustable pneumatically-damped stand-on platform
- Versatile and flexible access control with FleetManager 4.x

### Simply connected

---

- The software-based transport controls for the LTX 50 iGo systems enable fleets to be put to optimum use, whilst guaranteeing a high level of process reliability, traffic management, visualisation of truck movements, battery charge status monitoring and a drop in the rate of errors - The flow of materials and information is always reliable and displayed comprehensively and transparently
- The option to manually operate STILL's automated series-produced trucks, such as the LTX 50 iGo systems, affords greater flexibility and ensures that processes, material flow and ease of access to goods can be guaranteed at all times

# Simply Efficient



# LTX Electric Stand-on Tractor Equipment Variants



		LTX 20	LTX 50
Driver's workplace	Shelf in driver's place, load side	●	○
	Driver's workplace with narrow back rest	—	○
	Knee pads	●	○
	Height-adjustable steering wheel	●	○
	Damped stand-on platform	●	●
	Pneumatic damped stand-on platform	—	○
	Pneumatically damped stand-on platform with coupled folding seat	—	○
Folding seat	●	○	
Additional accessories	Accessory bracket drive side - low	○	○
	Accessory bracket drive side - high with cross piece	—	○
	Accessory bracket load side - low	—	○
	Accessory bracket load side - high with cross piece	—	○
	Adjustable DIN A4 writing pad	—	○
	12 V car power socket	—	○
	Pedestrian mode via butterfly switch on steering wheel/lateral push buttons	—	○
	Pedestrian mode via push buttons on side of back rest	○	○
	Refrigeration model for up to -30 °C when used in alternation	—	○
	Foil roller holder, drive/load side	—	○
	MMS prepared	—	○
	Data transmission, Bluetooth	—	○
	Data transmission, GPRS	—	○
Battery system	Hydraulic function for STILL tugging train elements - control using contact switches	—	○
	Hydraulic function for STILL tugging train elements - operation by switch	—	○
	Battery compartment for 200 Ah, craneable	●	—
	Battery compartment for 200 Ah, lateral change	○	—
	Battery compartment for 345-465 Ah, craneable	—	●
	Battery compartment for 345-465 Ah, lateral change	—	○
	Battery compartment for 560-620 Ah, craneable	—	○
	Battery compartment for 560-620 Ah, lateral change	—	○
	Battery compartment Li-Ion battery 205-410 Ah	—	○
Adapter tray for alternative batteries	—	○	
On-board charger	○	○	
Frame	Ground clearance 40 mm	●	—
	Ground clearance 70 mm	—	●
	Ground clearance 80 mm	○	—
	Ground clearance 100 mm	—	○
	Rubber protection, bottom	—	○
	Steel guard, low	—	○
	Steel guard, high	—	○
	Steel guard and rubber protection, low	—	○
	FleetManager: shock detection, reports	—	○
Safety	Rear view mirror	○	○
	Warning signal when reversing	○	○
	Flashlight	○	○
	STILL Safety Light/Safety Light 4Plus front	—	○
	LED daytime running lights	○	○
	Key access	●	●
	PIN code access	—	○
	FleetManager access	—	○
Maximum safety through iGo systems automation	●	●	
Tyres	Superelastic tyres, load side	●	●
	Superelastic tyres, non-marking, load side	○	—
	Solid rubber tyres, load side	○	—
	Solid rubber tyres, non-marking, load side	○	○
	Polyurethane tyres, load side	—	○
	Solid rubber drive wheel	●	●
	Solid rubber drive wheel, treaded	—	○
	Solid rubber drive wheel, non-marking	○	—
	Polyurethane drive wheel	○	○
Polyurethane drive wheel, treaded	—	○	
Drive	Maintenance-free three-phase drive motor	●	●
	Fully encapsulated dirt and dust proof components	●	●
Trailer coupling for STILL tugging trains	One-stage trailer coupling	●	○
	Three-stage trailer coupling	○	●
	Rockinger coupling	—	○

● Standard ○ Optional — Not available

STILL GmbH  
Berzeliusstr. 10  
22113 Hamburg  
Germany  
Tel.: +49 40 73 39 20 00  
Fax: +49 40 73 39 20 01  
info@still.de

**For further information please visit**  
**[www.still.eu](http://www.still.eu)**

STILL is certified in the following areas: Quality management, occupational safety, environmental protection and energy management.

