

ECH 12C/15C and ECH 15 Technical Data Low Lift Pallet Trucks

ECH 12C/Li-Ion

ECH 15C/Li-Ion

ECH 15/Li-Ion



ECH 12C/15C and ECH 15 Low Lift Pallet Trucks
Innovation in Motion

This specification sheet, which conforms to VDI guideline 2198, provides the technical values for the standard equipment only. Different tyres, other masts, the use of accessories, etc. may result in other values.



				STILL	STILL	STILL		
				ECH 12C	ECH 15C	ECH 15		
Features	1.1	Manufacturer						
	1.2	Manufacturer's model designation						
	1.3	Drive		Electric	Electric	Electric		
	1.4	Operation		Pedestrian	Pedestrian	Pedestrian		
	1.5	Load capacity/load	Q	kg	1200	1500	1500	
	1.6	Load centre	c	mm	600	600	600	
	1.8	Load distance	forks lifted/lowered	x	mm	950/880	950/880	946/883
	1.9	Wheel base	y	mm	1190 (1120) ¹	1190 (1120) ¹	1190 (1220) ¹	
	Weights	2.1	Service weight (incl. battery)		kg	115	115	180
2.2		Axle load, laden	drive end/load end	kg	540/1075	540/1075	606/1074	
2.3		Axle load, unladen	drive end/load end	kg	100/15	100/15	145/35	
Tyres/chassis	3.1	Tyres			Polyurethane	Polyurethane	Polyurethane	
	3.2	Tyre size	drive end	mm	Ø 210 x 70	Ø 210 x 70	Ø 210 x 70	
	3.3	Tyre size	load end	mm	Ø 80 x 60	Ø 80 x 60	Ø 80 x 60 (Ø 74 x 88) ¹	
	3.4	Support roller size		mm	-	-	Ø 74 x 30	
	3.5	Number of wheels (x = driven)	drive end/load end		1x/2 (1x/4) ²	1x/2 (1x/4) ²	1x 2/4 (1x 2/2) ²	
	3.6	Track width	drive end/load end	b ₁₀ /b ₁₁	mm	410 (535)	410 (535)	-
Dimensions	4.4	Lift		h ₃	mm	115	115	
	4.9	Tiller handle height in driving position		h ₁₄	mm	750/1190	750/1190	700/1200
	4.15	Fork height, lowered		h ₁₃	mm	80	80	80
	4.19	Overall length		l ₁	mm	1550	1550	1550
	4.20	Length including fork backs		l ₂	mm	400	400	400
	4.21	Total width		b ₁	mm	560 (685) ¹	560 (685) ¹	620 (705) ¹
	4.22	Fork dimensions	DIN ISO 2331	s/e/l	mm	50/150/1150	50/150/1150	50/150/1150
	4.25	Overall fork width	min./max.	b ₅	mm	560 (685)	560 (685)	540 (685)
	4.32	Ground clearance, centre of wheel base		m ₂	mm	30	30	30
	4.33	Working aisle width with 1000 x 1200 pallet crosswise		A _{st}	mm	2193	2193	2193
4.34	Working aisle width with 800 x 1200 pallet lengthways (b ₁₂ x l ₄)		A _{st}	mm	2062	2062	2046	
4.35	Turning radius		W _a	mm	1390	1390	1390	
Performance	5.1	Travel speed	laden/unladen	km/h	4/4.5	4/4.5	5.0/5.5	
	5.2	Lifting speed	laden/unladen	m/s	0.017/0.024	0.017/0.024	0.028/0.031	
	5.3	Lowering speed	laden/unladen	m/s	0.09/0.06	0.09/0.06	0.068/0.043	
	5.8	Max. gradeability kB 5	laden/unladen	%	6/16	6/16	8/20	
5.10	Service brake				Electromagnetic	Electromagnetic	Electromagnetic	
Electric engine	6.1	Drive motor, rating S2 = 60 min		kW	0.75	0.75	0.9	
	6.2	Lift motor, rating at S3		kW	0.5	0.5	0.8	
	6.3	Battery according to DIN 43531/35/36; A, B, C, no			Li-Ion	Li-Ion	Li-Ion	
	6.4	Battery voltage/rated capacity K ₅		V/Ah	24/20	24/20	48/20-30	
	6.5	Battery weight ±5% (depends on make)		kg	5	5	10.5	
	6.6	Energy consumption according to VDI cycle		kWh/h	0.274	0.274	0.239	
Misc.	8.1	Drive control			DC control	DC control	DC control	
	8.4	Sound pressure level at driver's ear		dB(A)	<74	<74	<70	

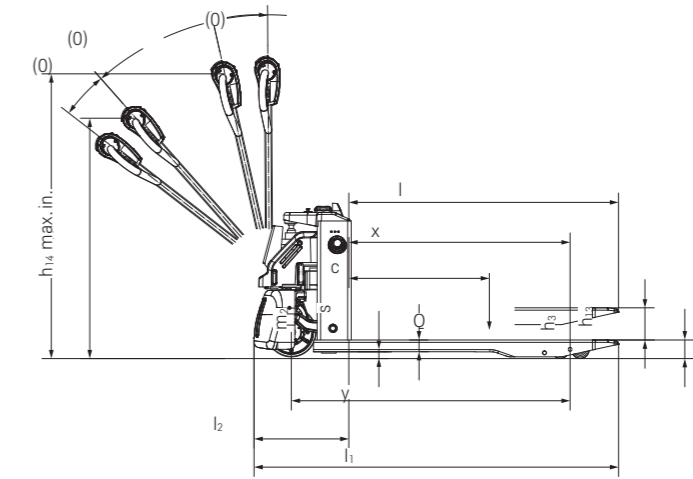
¹ For an overall fork width of 685 mm

² With tandem rollers

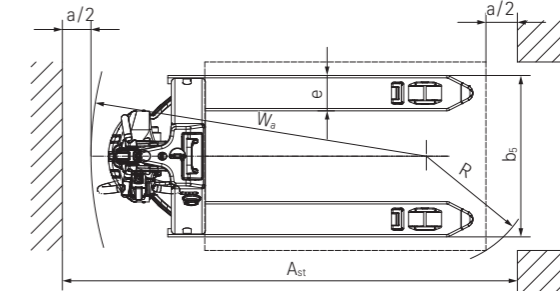
Battery power and charging times

	Batteries					Charging time
	Capacity	Voltage	Technology	Weight	Operating time	Standard charger
ECH 12C/ ECH 15C	20 Ah	24 V	Li-Ion	5 kg	Up to 120 min	2 h
ECH 15	20 Ah	48 V	Li-Ion	10.5 kg	Up to 200 min	3 h
	30 Ah	48 V	Li-Ion	10.5 kg	Up to 300 min	3 h

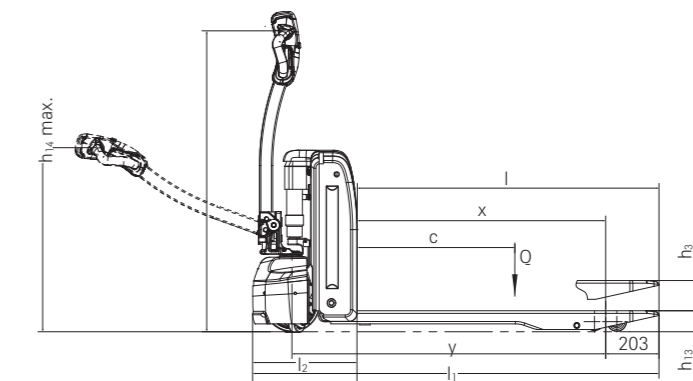
ECH 12C/15C and ECH 15 Low Lift Pallet Trucks
Technical Drawings



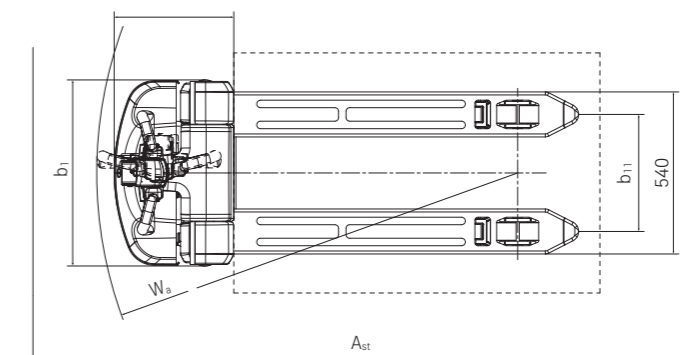
ECH 12C/15C side view



ECH 12C/15C top view



ECH 15 side view



ECH 15 top view

ECH 12C and ECH 15C Low Lift Pallet Trucks Innovation in Motion

Smart alternative to hand pallet trucks: Compact truck dimensions, low service weight, maintenance-free lithium-ion battery

Ready for use at all times thanks to the lithium-ion battery, which can be quickly and easily charged or interim charged from a power socket via Plug & Play

Safe and efficient even in confined spaces: The creep speed switch enables safe manoeuvring even with the tiller in an upright position



ECH 12C/ECH 15C

The ECH 12C/ECH 15C is the ideal alternative to the hand pallet trucks. Its compact dimensions and low service weight of just 115 kilos make it the perfect partner for horizontal freight transport over short, level routes and in confined spaces. Whether in goods lifts, on sales floors or in racking aisles, the ECH 12C/15C is light, agile and safe, and, thanks to the creep speed switch, extremely manoeuvrable even with the tiller in an upright position. All this ensures its high efficiency and

flexibility even in areas with little space for manoeuvring. In addition, the lithium-ion battery provides maximum availability, as the battery can be charged and interim charged at any time at a power socket via the external charger. The ECH 12C/15C also offers a high level of user convenience. Thanks to the electric drive and the ergonomic tiller, loads up to 1,200/1,500 kg can be moved without fatiguing the operator, while conserving power in the process.



Flexible use even in freight lifts or on mezzanine floors thanks to the low service weight



Unrivalled availability thanks to lithium-ion battery for fast interim charging



The low-level chassis and sturdy frame construction ensure particularly reliable and safe goods transport



Agile, safe and manoeuvrable even in confined spaces. Thanks to the compact size and integrated creep speed switch

ECH 15 Low Lift Pallet Truck Innovation in Motion

Ultimate availability and flexibility thanks to the Li-ion battery and built-in charger

Efficiency and ergonomics: The lifting capacity of up to 1,500 kg and electrically powered lifting and lowering make for quick and effortless goods handling

Compact dimensions, a deep-drawn chassis and additional support wheels ensure high levels of operational safety and stability even in the tightest of spaces



ECH 15

The ECH 15 low lift pallet truck by STILL is an innovative, compact power package for diverse applications. The small and nimble assistant transports loads weighing up to 1,500 kg - while only weighing 180 kg itself. It is therefore ideal for many different applications, be it on mezzanines or in goods lifts as well as for transportation by lorry, especially when loading and unloading by lifting platform. Thanks to the standard support wheels the ECH 15 is stable in operation and

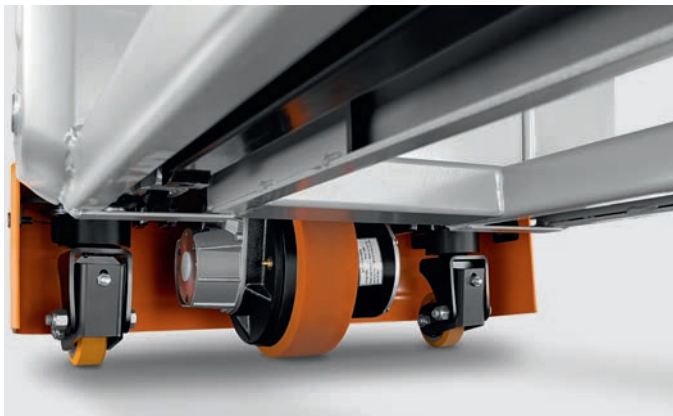
guarantees safe goods handling. The centrally arranged drive wheel and additional support wheels provide for great stability. The compact and deep-drawn chassis makes the ECH 15 resilient, durable and safe to operate. Thanks to its powerful, maintenance-free 48 V Li-ion battery and additional built-in charger, the ECH 15 is reliable and easy to use. The display also keeps the operator informed at all times about the current battery charge status and operating hours.



The low height of the pallet truck makes the fork tips easy to see



Always available: The integrated charger with Li-ion technology allows for convenient interim charging



Standard support wheels provide improved lateral support



Compact dimensions allow for flexible use even in confined spaces

ECH 15 Low Lift Pallet Truck
Innovation in Motion





Simply easy

- Easy and fatigue-free manoeuvring thanks to electric drive and lift motor
- Fatigue-free operation: Easy-grip tiller for left and right-handed operators
- Real-time information: The multifunction display on the ECH 15 shows the battery charge status and operating hours; the ECH 12C/15C's battery status is shown by an LED light (green, yellow, red)



Simply powerful

- Impressive goods handling: Lifting capacity of 1,200 to 1,500 kg
- Always ready for use: Additional replacement battery maximises availability
- Durable: Sturdy frame construction
- High performance: Powerful and low-maintenance drive motor



Simply safe

- Safe operation: Optimally dimensioned and positioned impact plate
- Improved operator health: No exhaust emissions thanks to maintenance-free battery technology



Simply flexible

- Suitable for almost any application thanks to compact dimensions
- Different fork dimensions available for different load carriers



Simply connected

- Seamless interaction: The li-ion batteries with battery management system interact with the truck



Equipment Variants

		ECH 12C/ ECH 15C	ECH 15
General	Powerful drive motor	●	●
	Easy-grip tiller for ergonomic operation	●	●
	Multifunction display	—	●
	LED lights for the battery charge status	●	—
	Various fork sizes	●	●
	Sturdy frame construction	●	●
Tyres	Tyres for slippery floors	—	○
	Load roller tyres, single	●	●
	Load roller tyres, tandem	○	○
Safety	Easy-to-reach emergency stop button	●	●
	Sensitive impact plate for high levels of operational safety in confined spaces	●	●
Battery	Maintenance-free battery technology	●	●
	Additional battery	○	○
	External charger	●	○
	Built-in charger for charging on-the-spot	—	●
	Various types of mains plugs	○	○

● Standard ○ Option — Not available



STILL GmbH
Berzeliusstr. 10
22113 Hamburg
Germany
Tel.: +49 40 73 39 20 00
Fax: +49 40 73 39 20 01
info@still.de

For further information please visit
www.still.eu

STILL is certified in the following areas: Quality management, occupational safety, environmental protection and energy management.



first in intralogistics